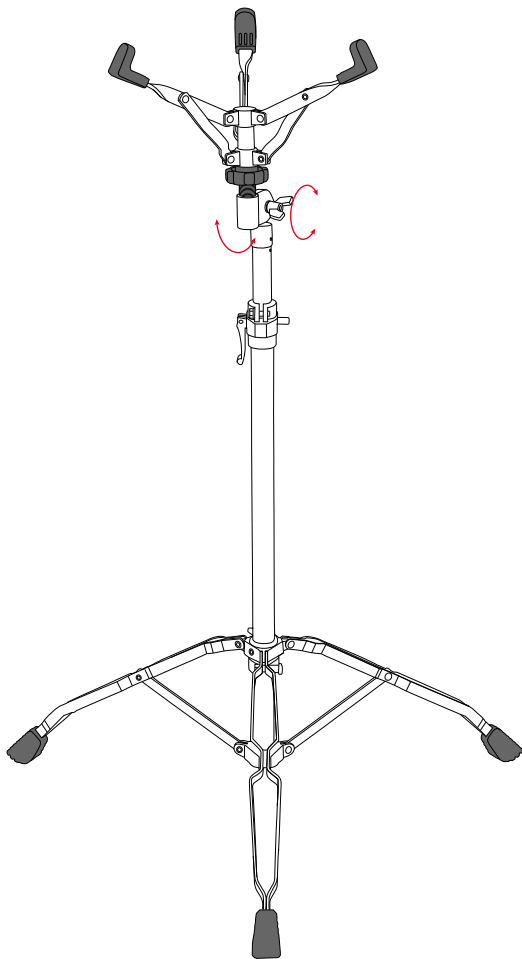




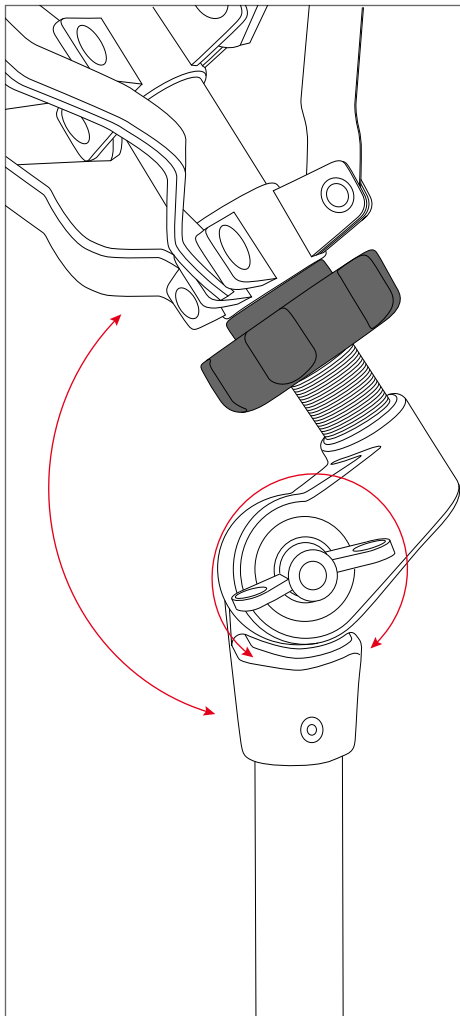
ASSEMBLY INSTRUCTION

HAND-BALE STAND TMTS

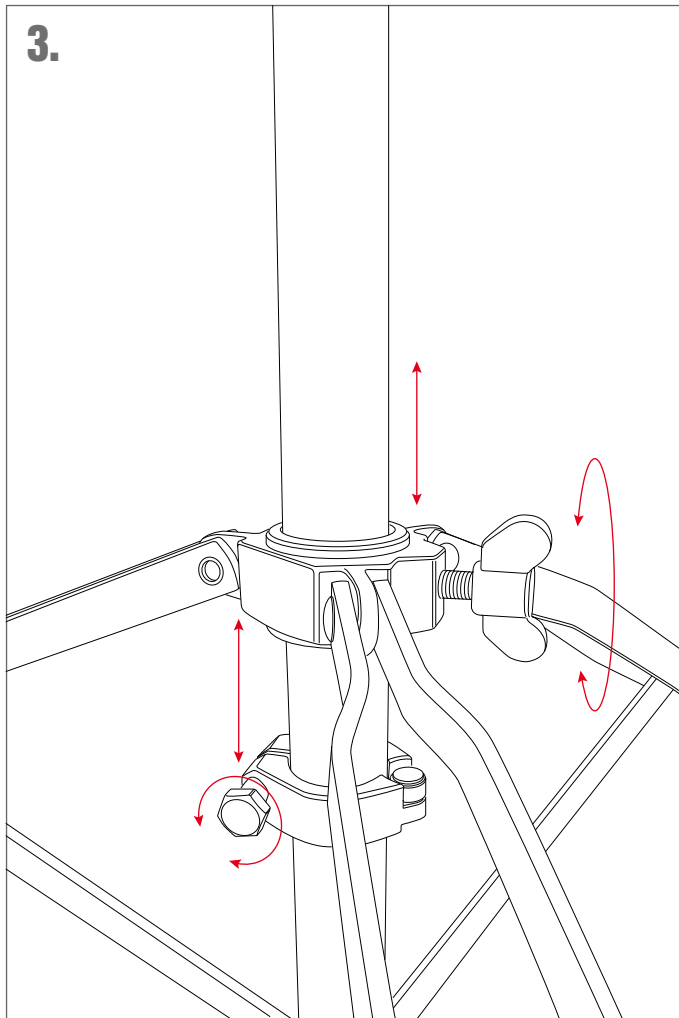
1.



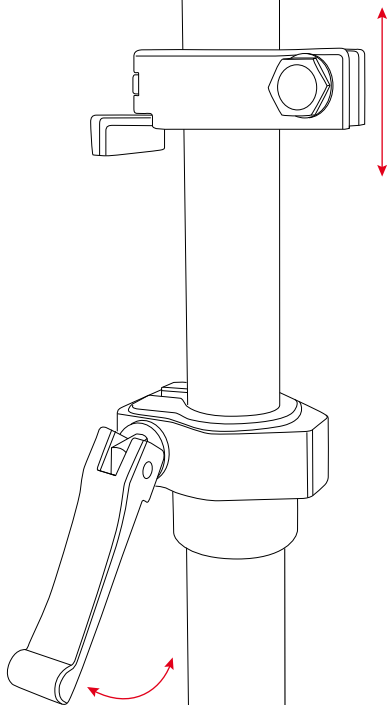
2.



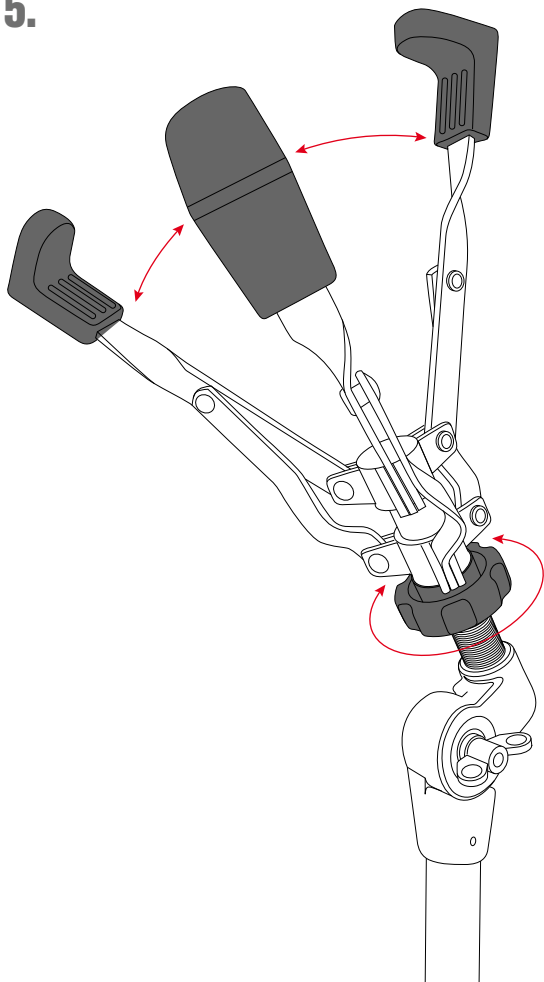
3.

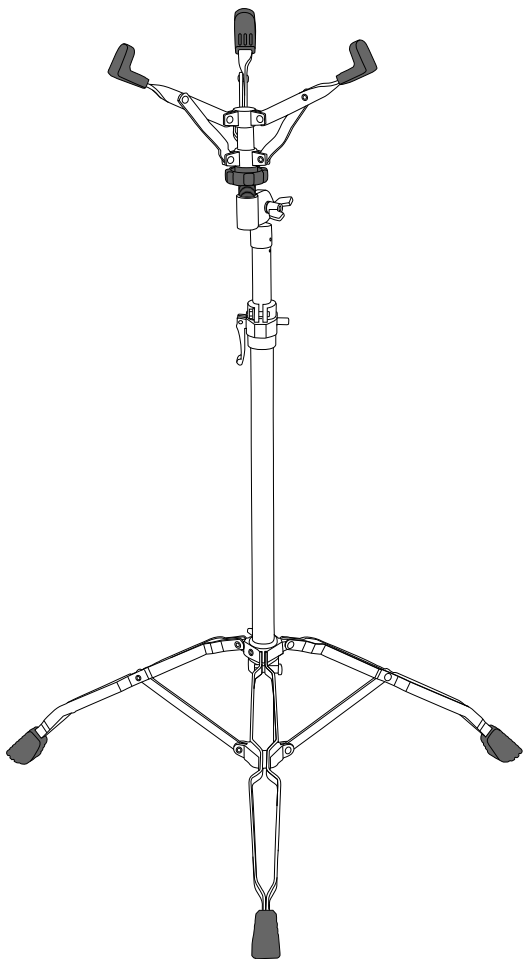


4.



5.







HAND-BALE STAND

TMTS

Our Hand-Bale Stand is double-bracketed and fully adjustable. The Hand-Bale is held securely in a rubber tipped three arm basket.

- Quick set up
- Rubber-tipped three arm basket
- Easy handling
- Double braced tripod stand

Roland Meinl Musikinstrumente GmbH & Co. KG
Musik-Meinl-Str. 1, 91468 Gutenstetten, Germany
info@meinlpercussion.com
meinlpercussion.com