

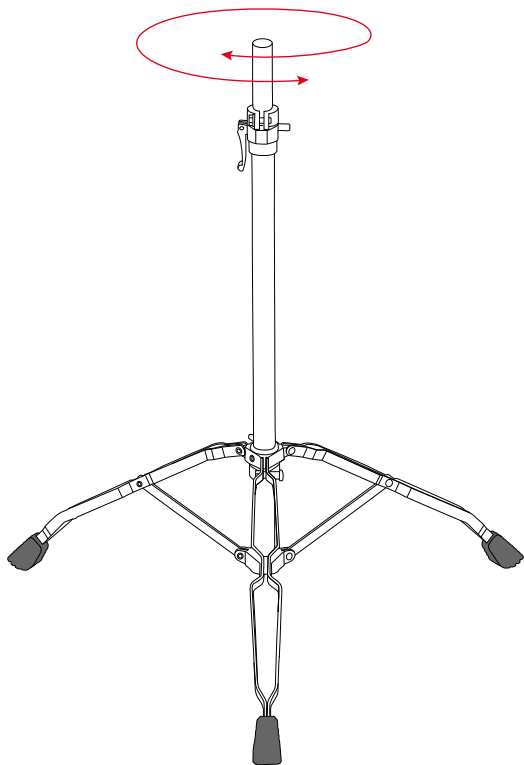


## **ASSEMBLY INSTRUCTION**

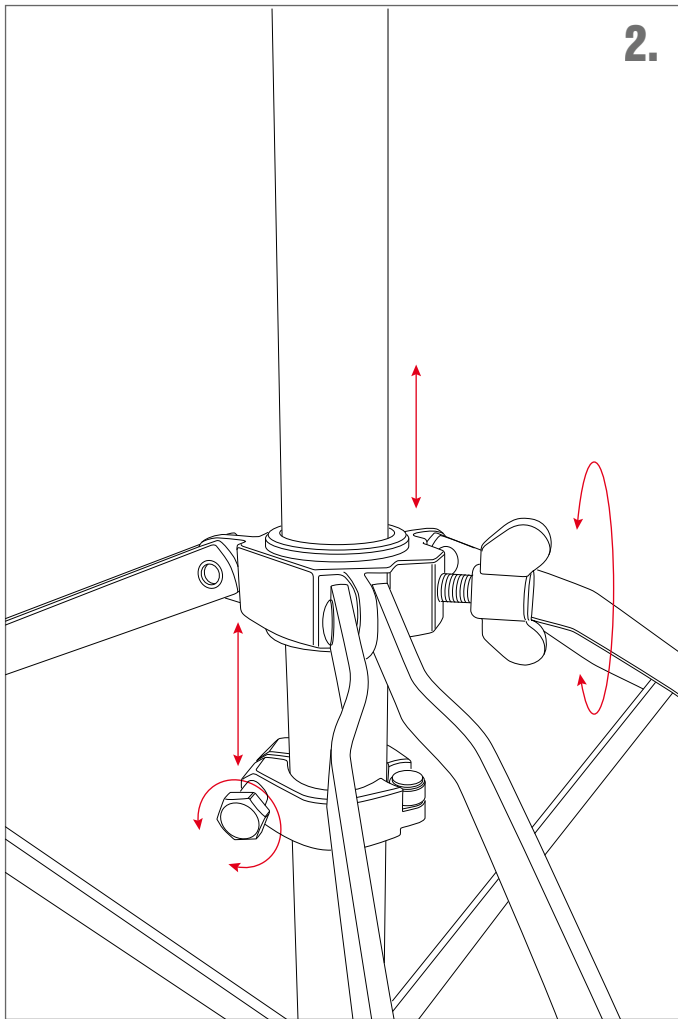
### **PERCUSSION TABLE STAND**

**TMPTS**

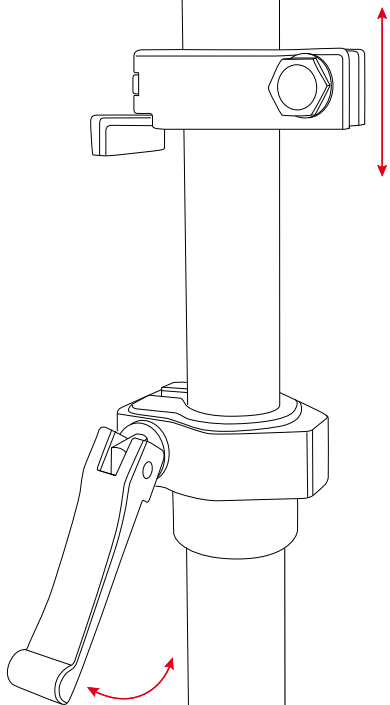
1.

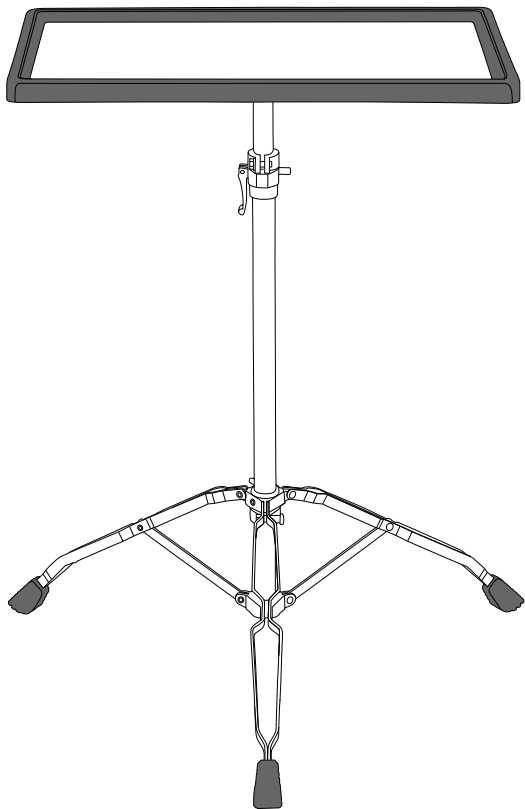


2.



**3.**







## PERCUSSION TABLE STAND

### TMPTS

---

The MEINL Percussion Table Stand offers enough room for all common hand percussion instruments. It is fully height adjustable and has a fabric anti-slip surface.

- Fabric anti-slip surface
- Fully height adjustable
- Double braced tripod legs

---

Roland Meinl Musikinstrumente GmbH & Co. KG  
Musik-Meinl-Str. 1, 91468 Gutenstetten, Germany  
info@meinlpercussion.com  
**meinlpercussion.com**